



— QUALITY —
MADE IN
GERMANY



HAAS Gladiator

Mobile All Metal Separator

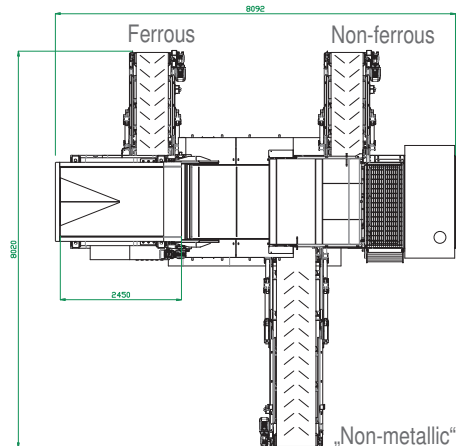
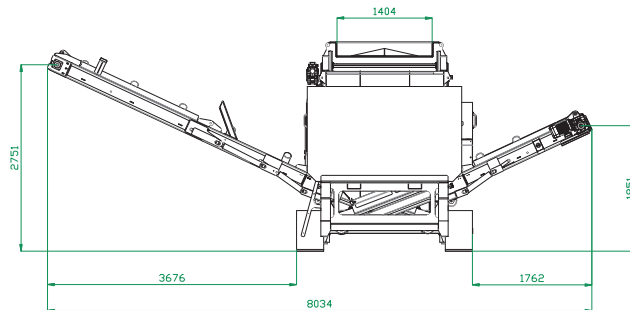
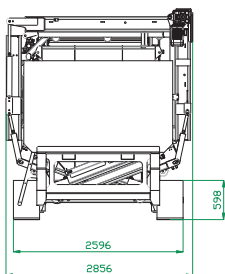
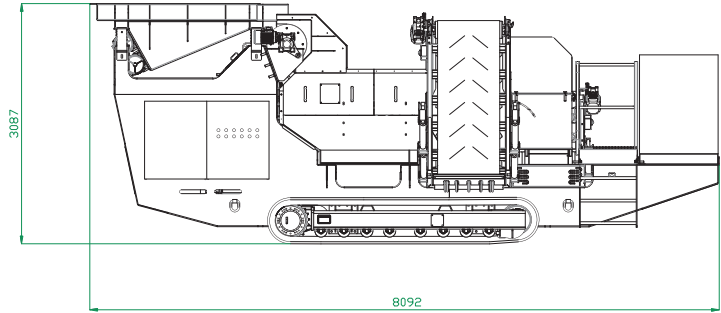
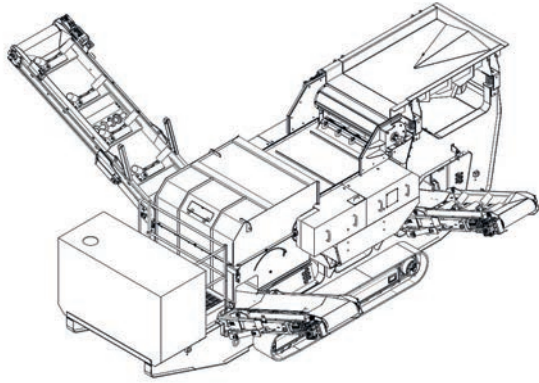
The GLADIATOR is the perfect completion to your shredding and screening machines, separating all metals from a variety of materials, such as:

MUNICIPAL SOLID WASTE · C&D RECLAIM · INCINERATOR SLAG
BIOMASS · SHREDDED WOOD



HAAS[®]
Recycling-Systems

TECHNICAL DATA



Vibrating Feeder

- 2.46 m long x 1.4 wide tray
- 2 vibration motors
- Coil spring isolation
- Variable speed control

„Non-metallic“ conveyor

- 800 mm wide chevron belt
- Variable angle troughed rollers
- Hydraulic folding with push button controls
- 3 kW

Magnetic Drum

- 1550 mm wide
- 350 mm diameter
- 0,55 kW electric motor

Ferrous and non-ferrous metal conveyor

- 650 mm wide chevron belt
- Variable angle troughed rollers
- Hydraulic folding with push button controls
- 3 kW

Eddy Current Separator 1500

- 1500 mm wide belt
- Variable speed control on belt
- Variable speed control on rotor
- 1,5 kW electric motor belt
- 5,5 kW electric motor on rotor pulley driven

Track Chassis

- 400 mm wide pad crawler tracks
- 3,5 m long track

Power

- 65 kVA Perkins diesel generator
- 22 kW electric/hydraulic power pack for tracking and folding/unfolding conveyors
- Generator/mains interlocked change over switch

Transport Dimensions

- Height 3,10 m
- Width 2,90 m
- Length 8,10 m
- Weight ca. 13.500 kg