



— QUALITY —
**MADE IN
GERMANY**



HAAS DRUM CHIPPER HTH

Type HTH

Systems and concepts for all applications

INPUT MATERIAL:

OFF-CUTS · TRIMMINGS / SLABS · LOG WOOD UP TO Ø 600 mm
WOOD WASTE FROM SAWMILLS / WOOD RESIDUES · VENEER WASTE · BIOMASS

FINAL PRODUCT:

High quality chips for

BIOMASS POWER PLANTS · PELLETING · SPANPLATTENINDUSTRIE
PAPER AND CELLULOSE INDUSTRY · SAWMILLS · VENEER INDUSTRY



HAAS
Recycling-Systems



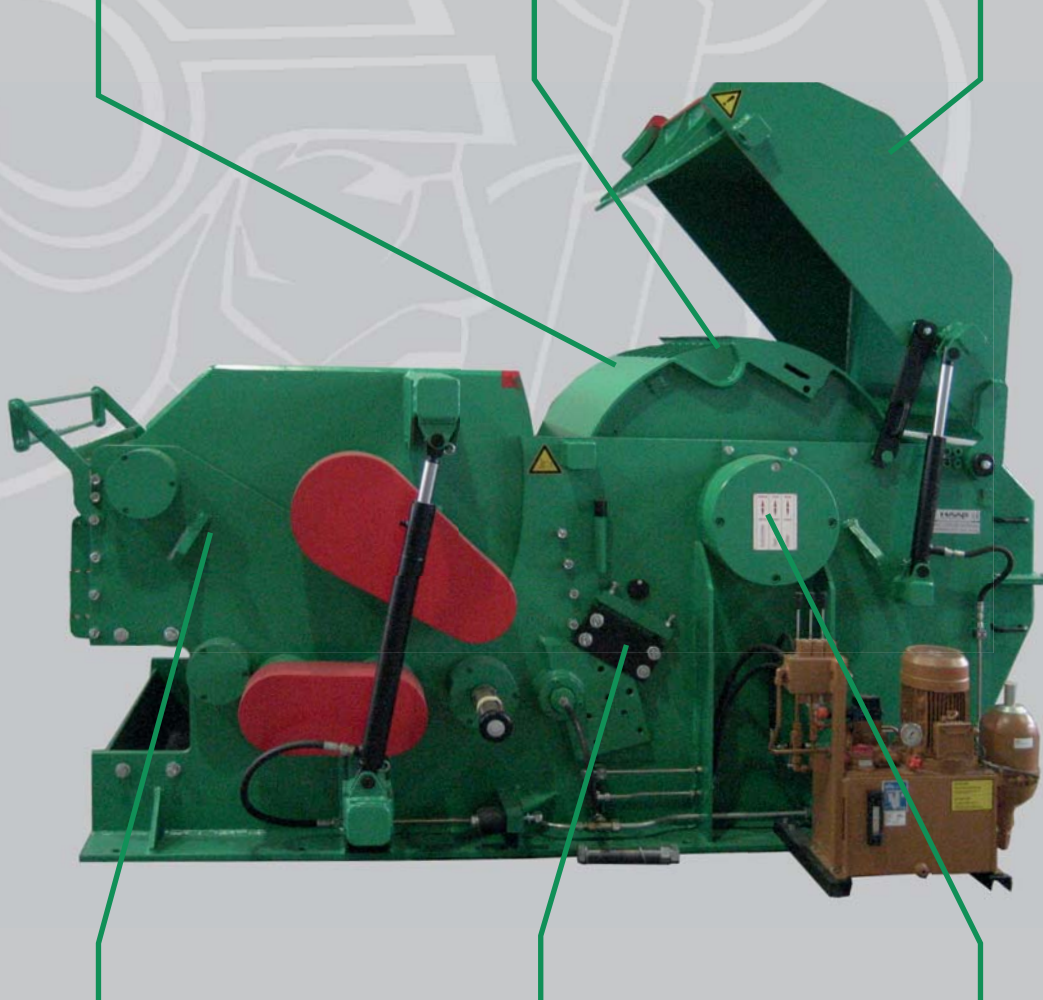
Knife fixing system with wear plate and chip breakers



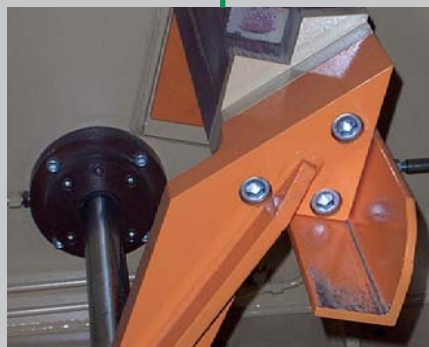
Chipping drum with special chip breakers



Rotor hood with wear protection plate



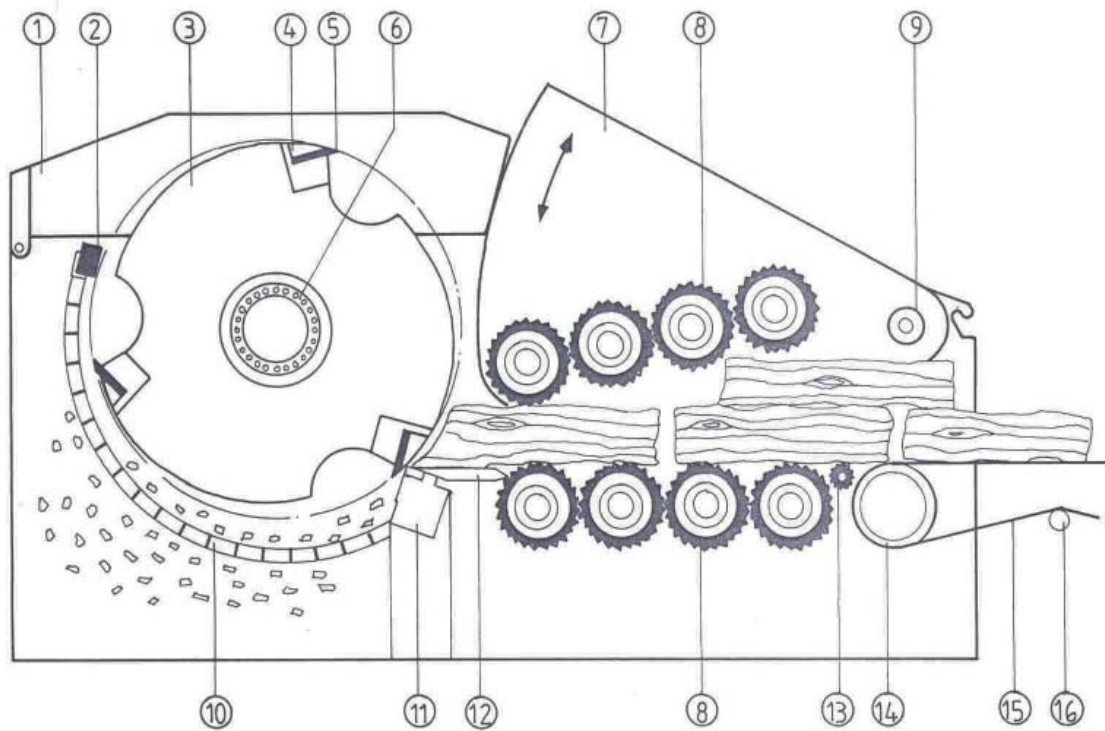
Infeed rollers riffled



Counter knife with hydraulic ejection device



Wear resistant screen



- 1 Hood
- 2 Screen bar
- 3 Rotor
- 4 Knife fixing
- 5 Knife
- 6 Rotor fixing system

- 7 Oscillating crank
- 8 Infeed rollers
- 9 Crank articulation
- 10 Screen
- 11 Counter-knife system
- 12 Lower comb

- 13 Acceleration roller

For feeding with belt conveyor:

- 14 Belt conveyor roller
- 15 Feeding belt
- 16 Return roller



**HTH 250 x 710
with evacuation chain conveyor**



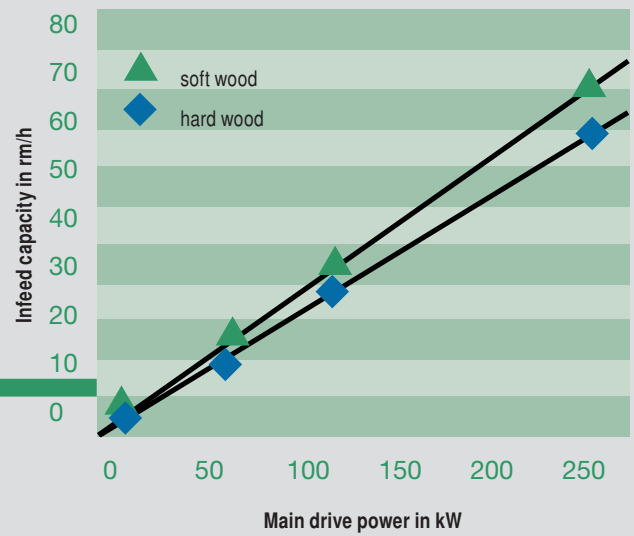
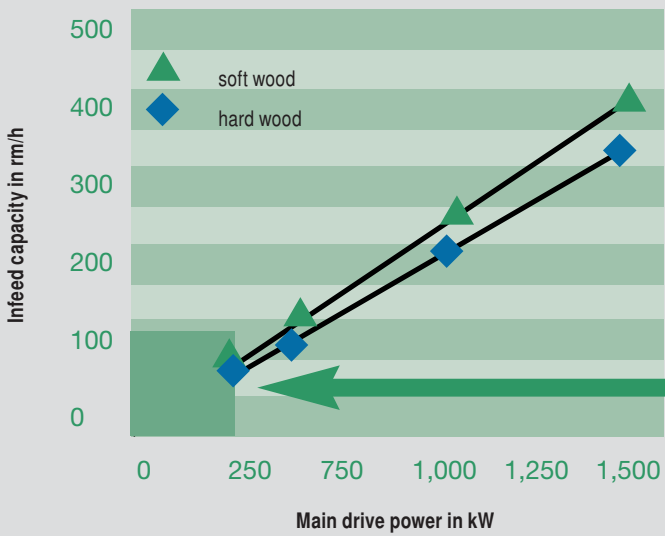
**HTH 400 x 800
with belt conveyor**



Final product

Other dimensions possible according to customers requirements

CAPACITY DIAGRAMS



HAAS DRUM CHIPPER

- High troughput capacity and high quality chips
- Long-time experience and proofed quality
- Single machines for existing instalaltions or planning and design of complete installations according to customer requirments



HAAS DRUM CHIPPER - MODELS

TECHNICAL DATA

Type HTH infeed height x infeed width	Rotor Ø	Number of rotor knives	main drive kW	Input capacity approx. m ³ /h
150 x 510 mm 150 x 610 mm 150 x 710 mm 150 x 810 mm	500 mm	2 - 3	22 - 90	2 - 15
200 x 510 mm 200 x 610 mm 200 x 710 mm 200 x 810 mm	600 mm	2 - 4	30 - 90	15 - 25
250 x 510 mm 250 x 610 mm 250 x 710 mm 250 x 1000 mm	750 mm	2 - 4	45 - 100	15 - 80

Type HTH infeed height x infeed width	Rotor Ø	Number of rotor knives	main drive kW	Input capacity approx. m ³ /h
350 x 500 mm 350 x 650 mm 350 x 800 mm 350 x 1000 mm	1000 mm	2 - 4	75 - 250	25 - 60
450 x 500 mm 450 x 650 mm 450 x 800 mm 450 x 1000 mm 450 x 1200 mm	1200 mm/ 1300 mm	3 - 4	132 - 250	35 - 110
600 x 500 mm 600 x 650 mm 600 x 800 mm 600 x 1000 mm 600 x 1200 mm	1600 mm	3 - 5	200 - 800	40 - 200

Drum chipper with conveyor belt
and chain conveyor



Feeding vibration conveyor / infeed rollers



Different end
product sizes



HAAS
Recycling-Systems

HAAS Holzerkleinerungs-
und Fördertechnik GmbH
Unter den Weiden 6
56472 Dreisbach / GERMANY

Phone: +49 2661 9865-0
Fax: +49 2661 9865-20
E-mail: info@haas-recycling.de
Webseite: www.haas-recycling.de